

The information in this document is subject to change without notice and should not be construed as a commitment by ABB. ABB assumes no responsibility for any errors that may appear in this document.

Except as may be expressly stated anywhere in this document, nothing herein shall be construed as any kind of guarantee or warranty by ABB for losses, damages to persons or property, fitness for a specific purpose or the like.

In no event shall ABB be liable for incidental or consequential damages arising from use of this document.

This document and parts thereof must not be reproduced or copied without ABB's written permission, and contents thereof must not be imparted to a third party nor be used for any unauthorized purpose. Contravention will be prosecuted.

Additional copies of this document may be obtained from ABB at its then current charge.

© Copyright 2021 ABB ALL right reserved.

ABB

SE-721 68 Västerås
Sweden

Latest revision: ECO 130454



Lab/Office:
RARO SE
RDP

IRB57XX

Status: 2023-12-01

Plant: = SP

Approved

Location: +
Sublocation: +

Document no.

Rev. Ind

Page 1

Prepared by, date: ML 2023-12-01

Approved by, date: ML 2023-12-01

COPYRIGHT PAGE

3HAC081433-001

01

2

DRESS PACK

Total 21

We reserve all rights in this document and in the information contained therein. Reproduction, use or disclosure to third parties without express authority is strictly forbidden. © Copyright 2003 ABB

Table of contents

ABB_table_of_contents

Plant	Location	Sublocation	Page	Page description	Page supplementary field	Date	Editor
SP			1	COPYRIGHT PAGE	APPROVED	2023-12-01	semalin
SP			2	TABLE OF CONTENTS 1-250	APPROVED	2023-12-01	semalin
SP			3	LEGEND	APPROVED	2023-12-01	semalin
SP	Se		51	BLOCK DIAGRAM - TYPE Se	APPROVED	2023-12-01	semalin
SP	H		52	BLOCK DIAGRAM - TYPE H	APPROVED	2023-12-01	semalin
SP	He		53	BLOCK DIAGRAM - TYPE He	APPROVED	2023-12-01	semalin
SP	HS		54	BLOCK DIAGRAM - TYPE HS	APPROVED	2023-12-01	semalin
SP	HSe		55	BLOCK DIAGRAM - TYPE HSe	APPROVED	2023-12-01	semalin
SP	CON		56	CONNECTOR LAYOUT	APPROVED	2023-12-01	semalin
SP	CON		57	CONNECTOR LAYOUT	APPROVED	2023-12-01	semalin
DP	Se	AX3	150-151	PARAMULTI SW6	APPROVED	2023-12-01	semalin
DP	Se	AX3	155-156	PARAMULTI, SERVOGUN SW6	APPROVED	2023-12-01	semalin
DP	H	AX3	200	PARACOM MH3 & 6	APPROVED	2023-12-01	semalin
DP	H	AX3	204-205	PARAMULTI MH3 & 6	APPROVED	2023-12-01	semalin
DP	Se	AX3	220-221	PARACOM SW6	APPROVED	2023-12-01	semalin
DP	Se	AX3	225-226	PARACOM, SERVOGUN SW6	APPROVED	2023-12-01	semalin
DP	AX 7		250	AXIS 7 ON BASE	APPROVED	2023-12-01	semalin

We reserve all rights in this document and in the information contained therein. Reproduction, use or disclosure to third parties without express authority is strictly forbidden. © Copyright 2003 ABB

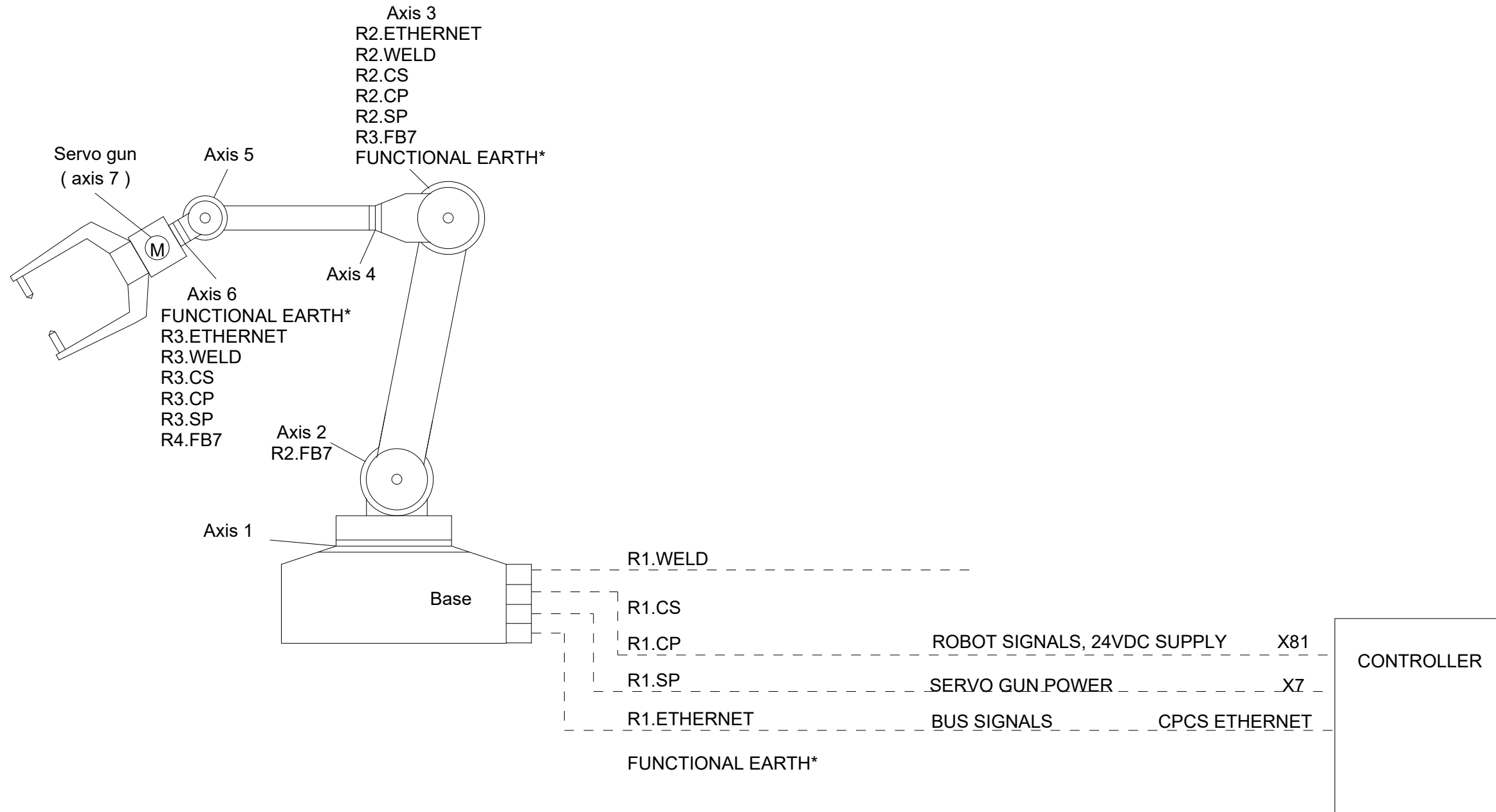
We reserve all rights in this document and in the information contained therein. Reproduction, use or disclosure to third parties without express authority is strictly forbidden. © Copyright 2003 ABB

1	2	3	4	5	6	7	8
Paracom	Parallel Communication				Protective Earth (PE)		
Parabuscom	Parallel and Bus Communication (CANBUS, PROFIBUS and DEVICENET)				Twisted wires		
Paramulti	Parallel and Ethernet Communication				Quad twined wires		
S	Welding with Pneumatic Gun				Screened wires		
Se	Welding with Servo Gun				Screen is connected to earth		
H	Material Handling				Screen connection continues on the next page		
He	Material Handling Servo Gun						
HS	Material Handling and Pneumatic Gun						
HSE	Material Handling and Servo Gun						
FB	Motor Feedback Signal (7th axis)						
SMB	Serial Measurment Board						
CP/CS	Customer Power/Customer Signal						
SP	Servo Gun Signal						
MH3	Harness between axis 3 to axis 6						
MH6	Harness between Manipulator base to axis 6						


BLOCK DIAGRAM TYPE Se (servo gun)
 IRBDP SW6
 Controller, OmniCore V250XT: See circuit diagram, 3HAC074000-008

Dashed cables: See circuit diagram 3HAC074000-008

* Functional earth exist only on the option Paramulti.



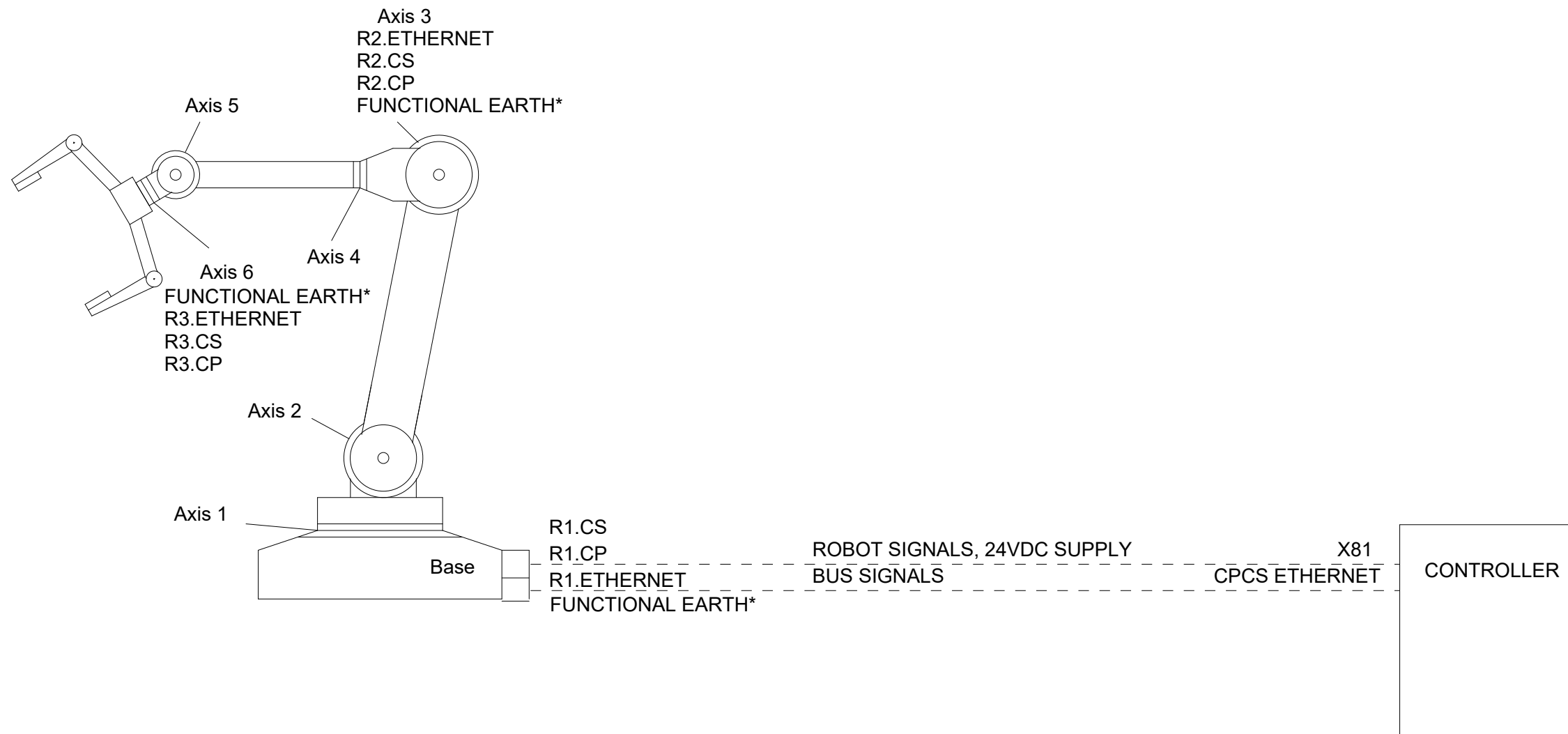
We reserve all rights in this document and in the information contained therein. Reproduction, use or disclosure to third parties without express authority is strictly forbidden. © Copyright 2003 ABB

Latest revision: ECO 130454		 Lab/Office: RARO SE RDP	IRB57XX	Status: 2023-12-01	Plant: = SP
Prepared by, date: ML 2023-12-01			BLOCK DIAGRAM - TYPE Se		Approved
Approved by, date: ML 2023-12-01		DRESS PACK		Document no. 3HAC081433-001	Sublocation: +
				Rev. Ind 01	Page 51 +H/52 Total 21

BLOCK DIAGRAM TYPE H (material handling)
 IRBDP MH6
 Controller, OmniCore V250XT: See circuit diagram, 3HAC074000-008

Dashed cables: See circuit diagram 3HAC074000-008

* Functional earth exist only on the option Paramulti.

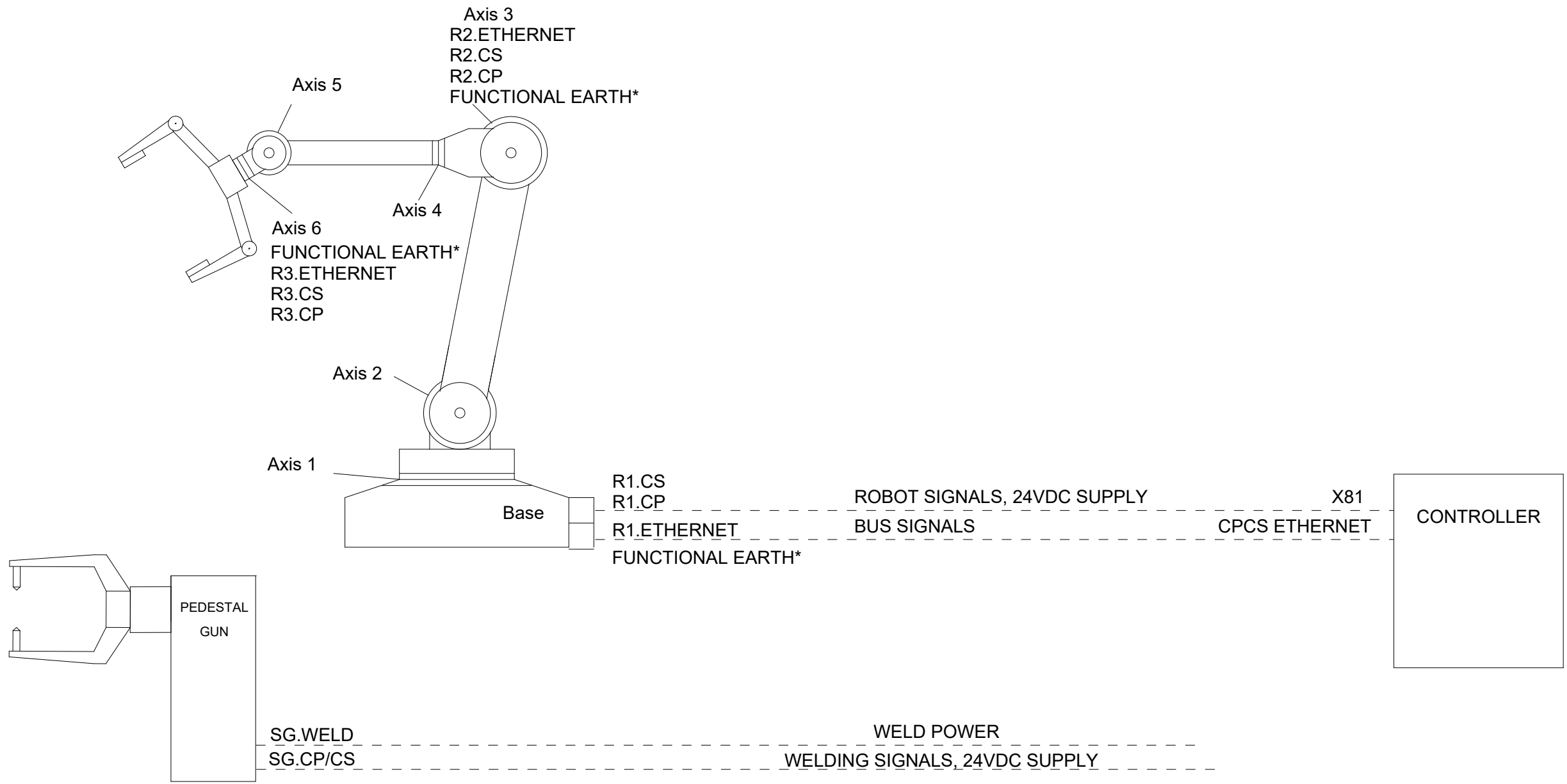


We reserve all rights in this document and in the information contained therein. Reproduction, use or disclosure to third parties without express authority is strictly forbidden. © Copyright 2003 ABB

BLOCK DIAGRAM TYPE HS (material handling and pneumatic gun)
 IRBDP SW6
 SController, OmniCore V250XT: See circuit diagram, 3HAC074000-008

Dashed cables: See circuit diagram 3HAC074000-008

* Functional earth exist only on the option Paramulti.



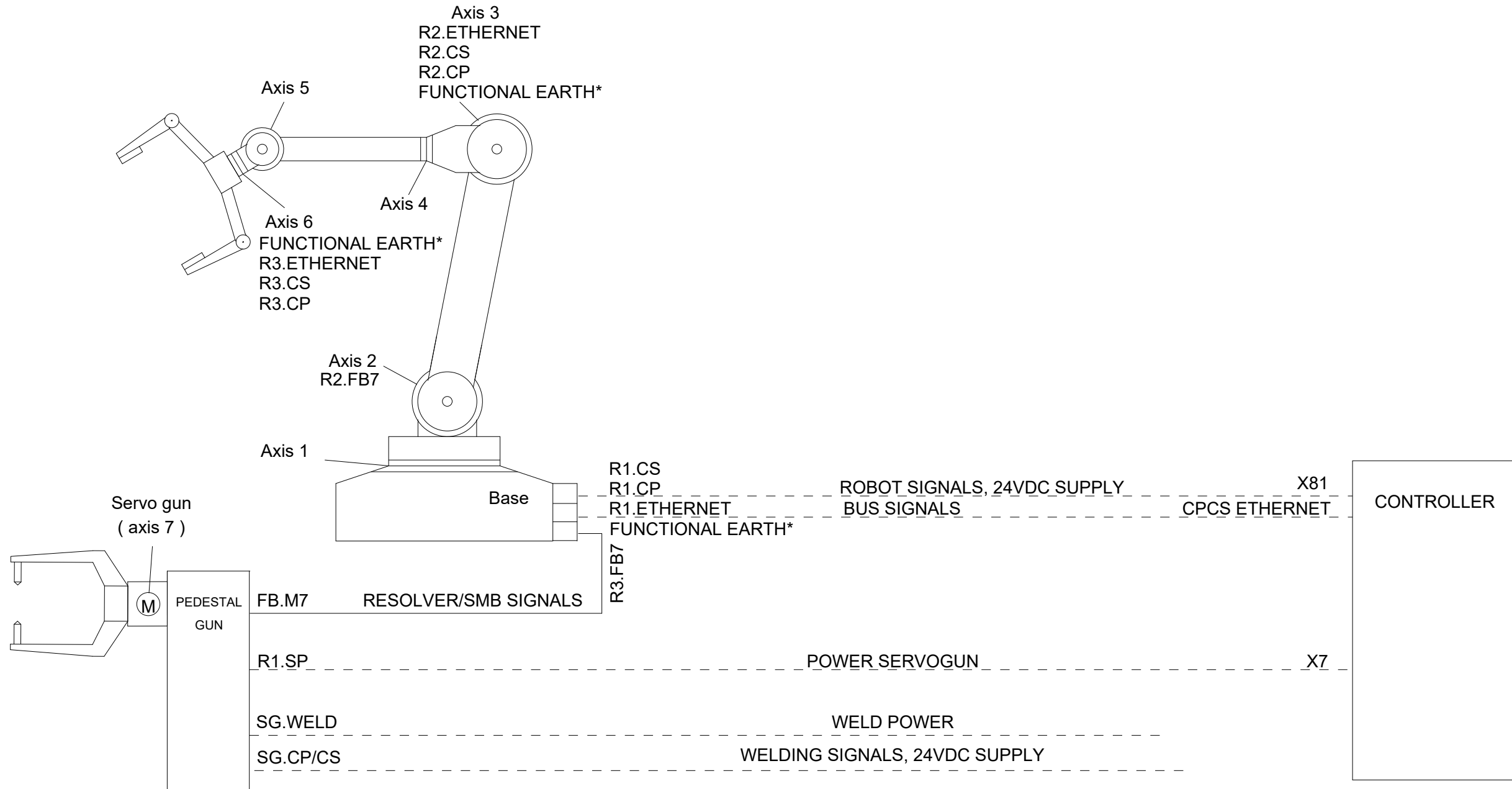
We reserve all rights in this document and in the information contained therein. Reproduction, use or disclosure to third parties without express authority is strictly forbidden. © Copyright 2003 ABB

Latest revision: ECO 130454			Lab/Office: RARO SE RDP	IRB57XX	Status: 2023-12-01	Plant: = SP
Prepared by, date: ML 2023-12-01 Approved by, date: ML 2023-12-01				BLOCK DIAGRAM - TYPE HS	Approved	Location: + HS
				DRESS PACK	Document no. 3HAC081433-001	Rev. Ind 01
						Page 54 +HSe/55 Total 21

BLOCK DIAGRAM TYPE HSe (material handling and servo gun)
 IRBDP SW6
 Controller, OmniCore V250XT: See circuit diagram, 3HAC074000-008

Dashed cables: See circuit diagram 3HAC074000-008

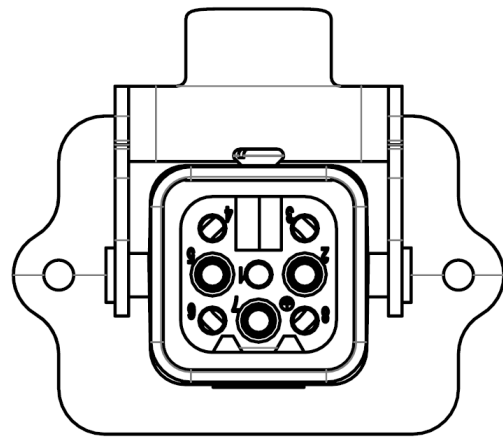
* Functional earth exist only on the option Paramulti.



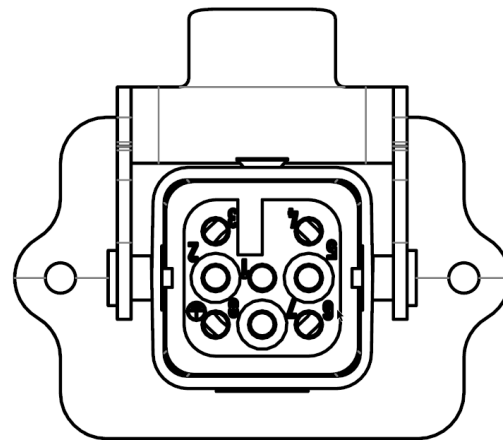
We reserve all rights in this document and in the information contained therein. Reproduction, use or disclosure to third parties without express authority is strictly forbidden. © Copyright 2003 ABB

BLOCK DIAGRAM TYPE S/H

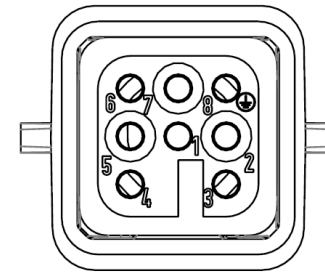
Male 8p (R1.CS)



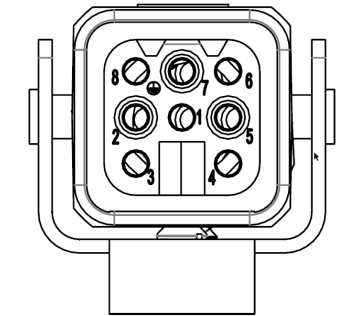
Female 8p (R2.CS)



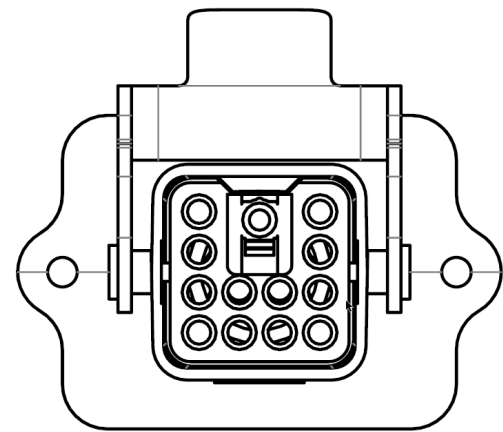
Male 8p (R2.CS)



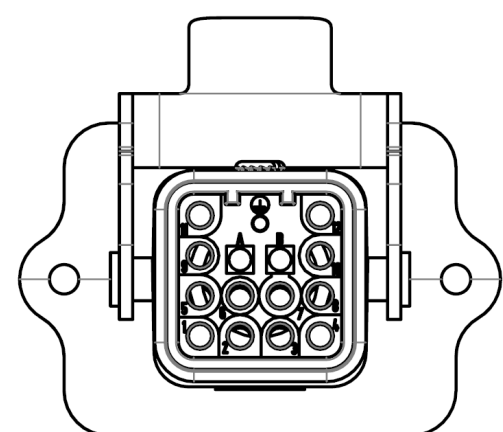
Female 8p (R3.CS)



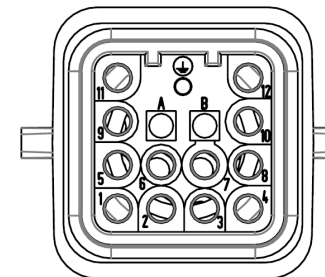
Male 12p (R1.CP)



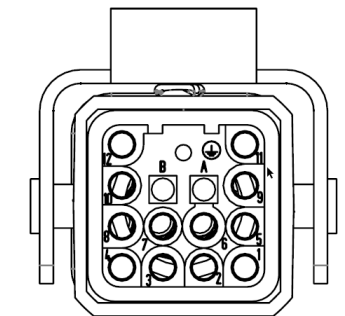
Female 12p (R2.CP)



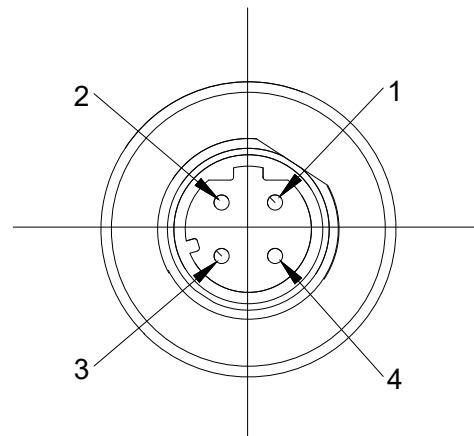
Male 12p (R2.CP)



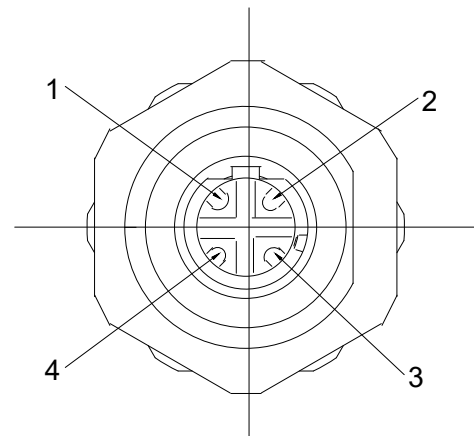
Female 12p (R3.CP)



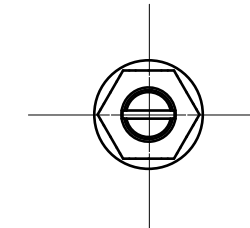
Male 4p
R2.ETHERNET
R3.ETHERNET



Female 4p
R1.ETHERNET
R2.ETHERNET



FUNCTIONAL EARTH



Latest revision: ECO 130454



Lab/Office:
RARO SE
RDP

IRB57XX

CONNECTOR LAYOUT

DRESS PACK

Status: 2023-12-01

Approved

Document no.

3HAC081433-001

Plant: = SP
Location: + CON
Sublocation: +

Rev. Ind

01

Page 56

57

Total 21

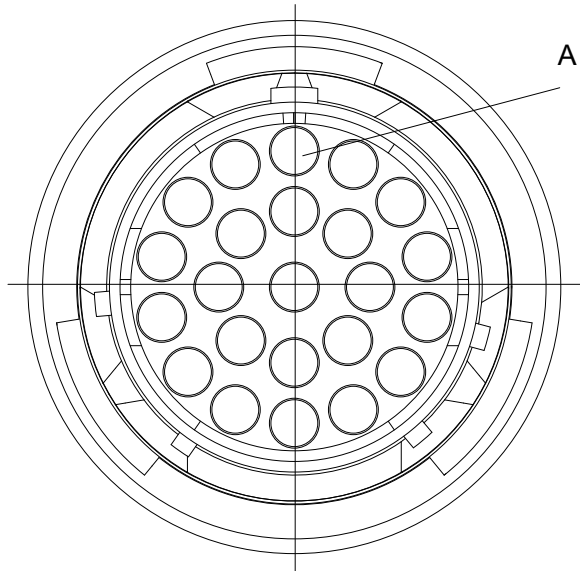
Prepared by, date: ML 2023-12-01

Approved by, date: ML 2023-12-01

We reserve all rights in this document and in the information contained therein. Reproduction, use or disclosure to third parties without express authority is strictly forbidden. © Copyright 2003 ABB

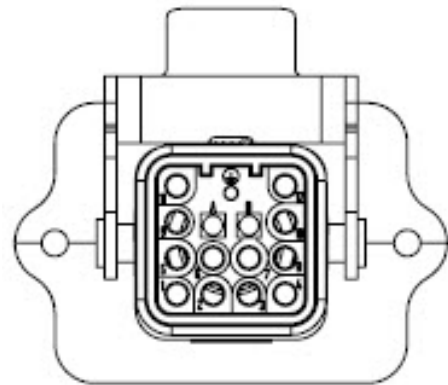
BLOCK DIAGRAM TYPE Se/S

Male 23p (R1.SP)

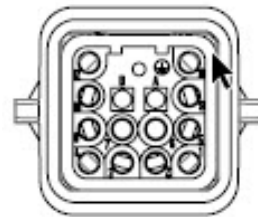


SOURIAU

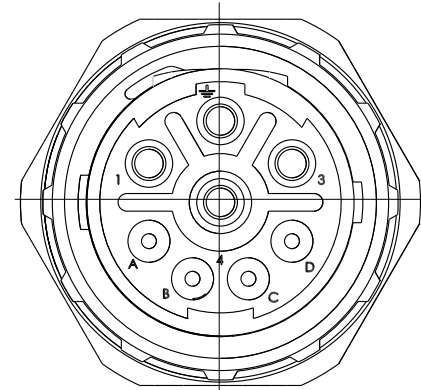
Female 12p R2.SP



Male 12p R2.SP

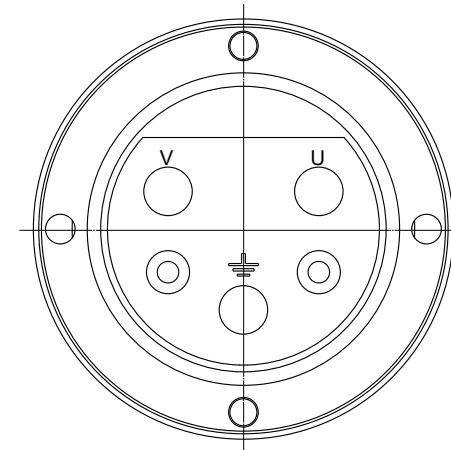


Female 8p R3.SP

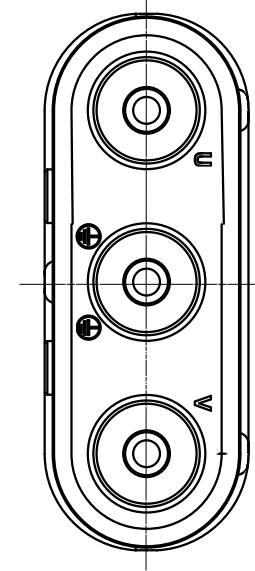


HUMMEL

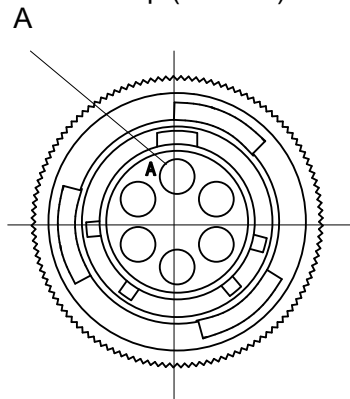
Male 3p R1.WELD



Female & Male 3p R2.WELD

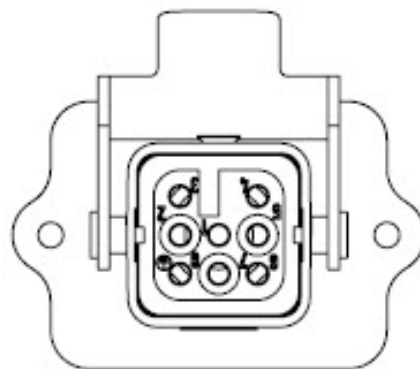


Male 6p (R2.FB7)



SOURIAU

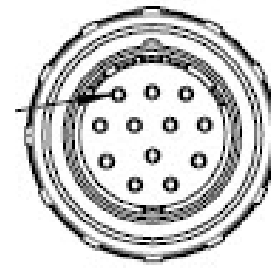
Female 8p (R3.FB7)



Male 8p (R3.FB7)



Female 12p (R4.FB7)



HUMMEL

Latest revision: ECO 130454



Lab/Office:
RARO SE
RDP

IRB57XX

CONNECTOR LAYOUT

DRESS PACK

Status: 2023-12-01

Approved

Document no.

3HAC081433-001

Plant: = SP
Location: + CON
Sublocation: +

Rev. Ind
01

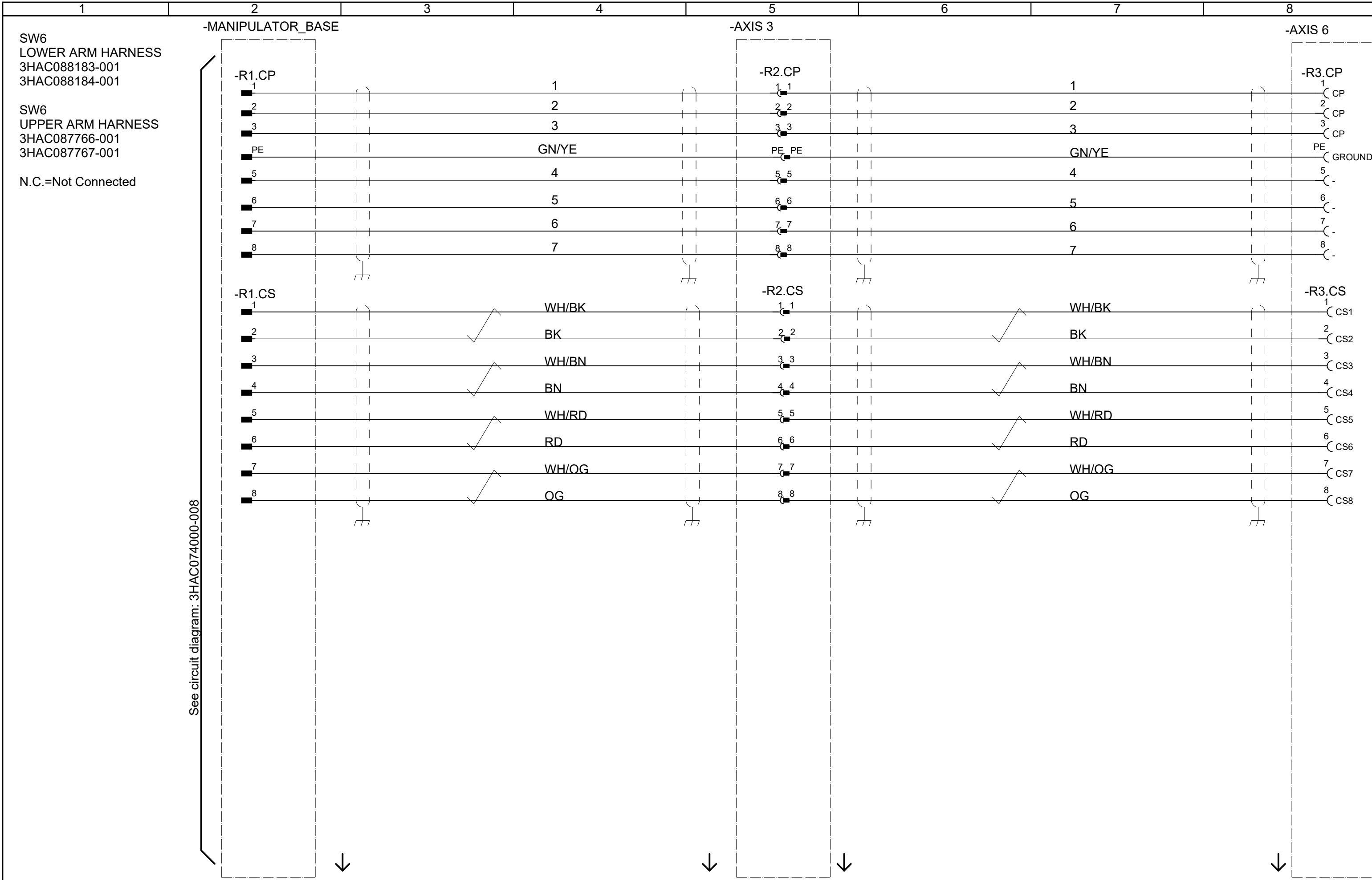
Page 57
=DP+Se.
Total 21

Prepared by, date: ML 2023-12-01

Approved by, date: ML 2023-12-01

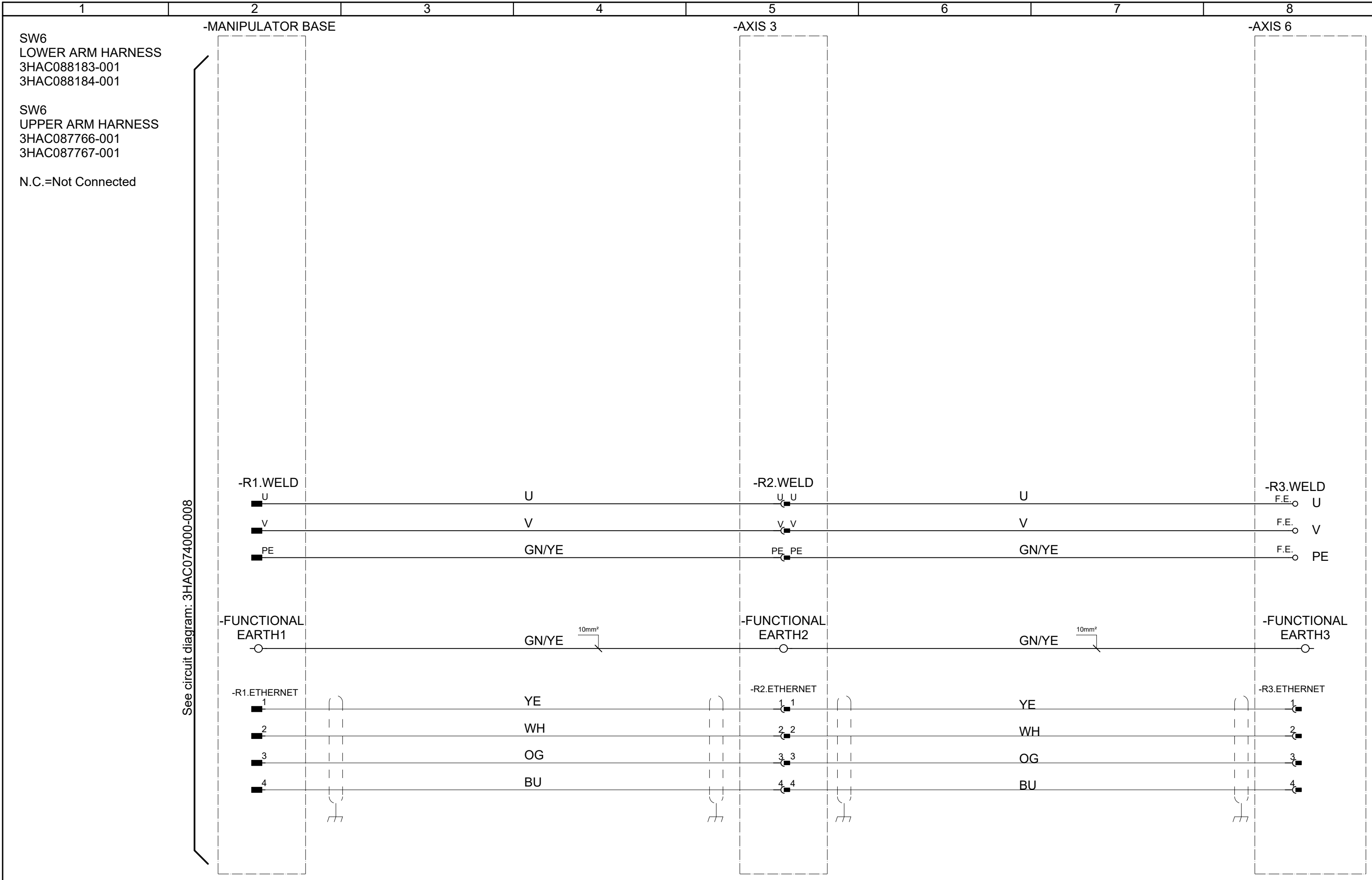
We reserve all rights in this document and in the information contained therein. Reproduction, use or disclosure to third parties without express authority is strictly forbidden. © Copyright 2003 ABB

We reserve all rights in this document and in the information contained therein. Reproduction, use or disclosure to third parties without express authority is strictly forbidden. © Copyright 2003 ABB



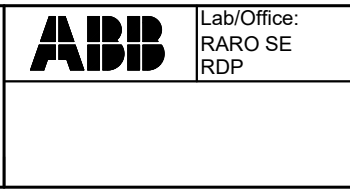
Latest revision: ECO 130454		ABB	Lab/Office: RARO SE RDP	IRB57XX	Status:	Plant: = DP
Prepared by, date: ML 2023-12-01				PARAMULTI SW6	Approved	Location: + Se
Approved by, date:			TYPE Se	Document no. 3HAC081433-001	Rev. Ind 01	Sublocation: + AX3
						Page 150
						151
						Total 21

We reserve all rights in this document and in the information contained therein. Reproduction, use or disclosure to third parties without express authority is strictly forbidden. © Copyright 2003 ABB



Latest revision: ECO 130454

Prepared by, date: ML 2023-12-01 Approved by, date:



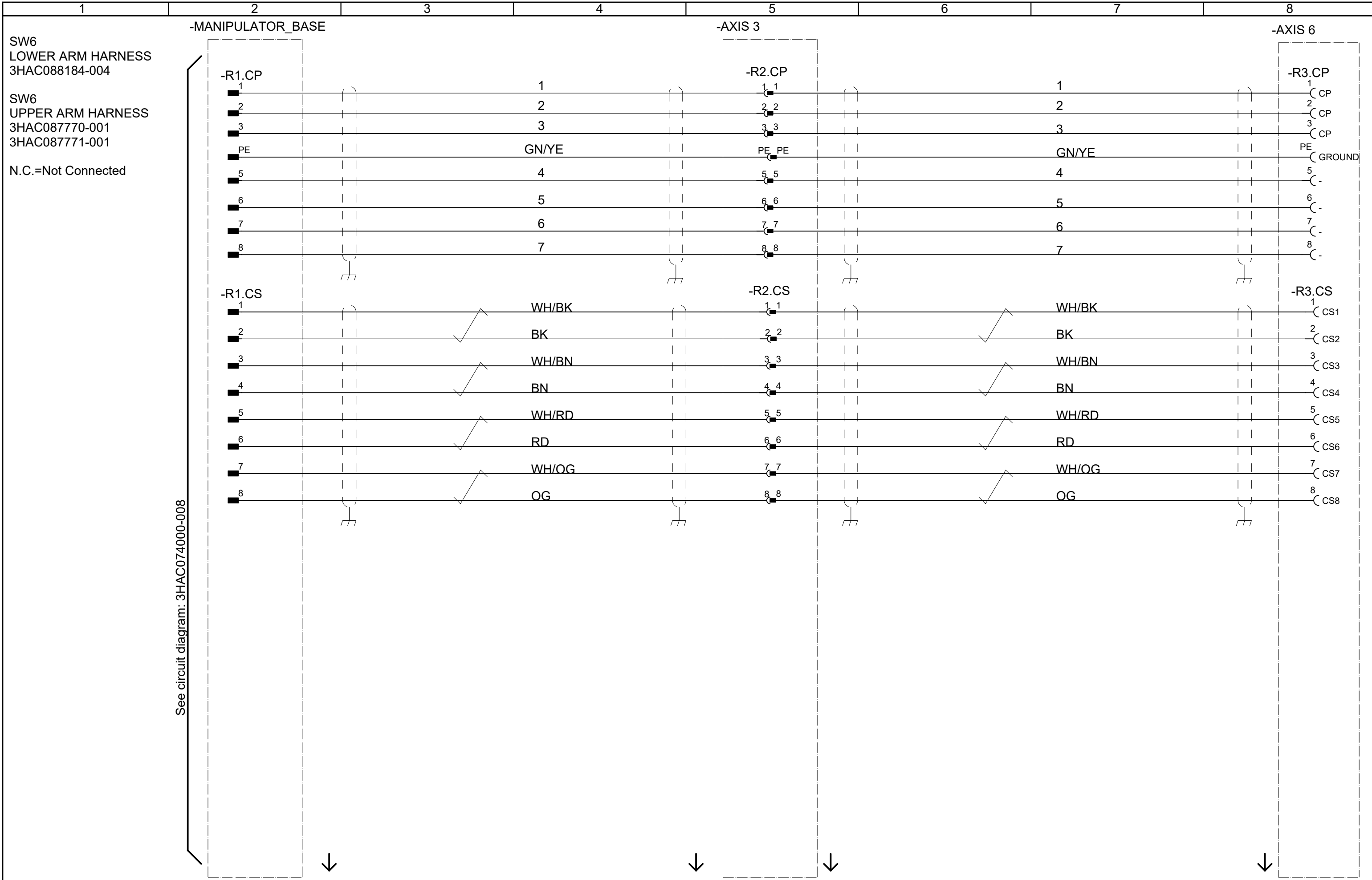
IRB57XX
PARAMULTI SW6
TYPE Se

Status: **Approved**

Plant: = DP
Location: + Se
Sublocation: + AX3

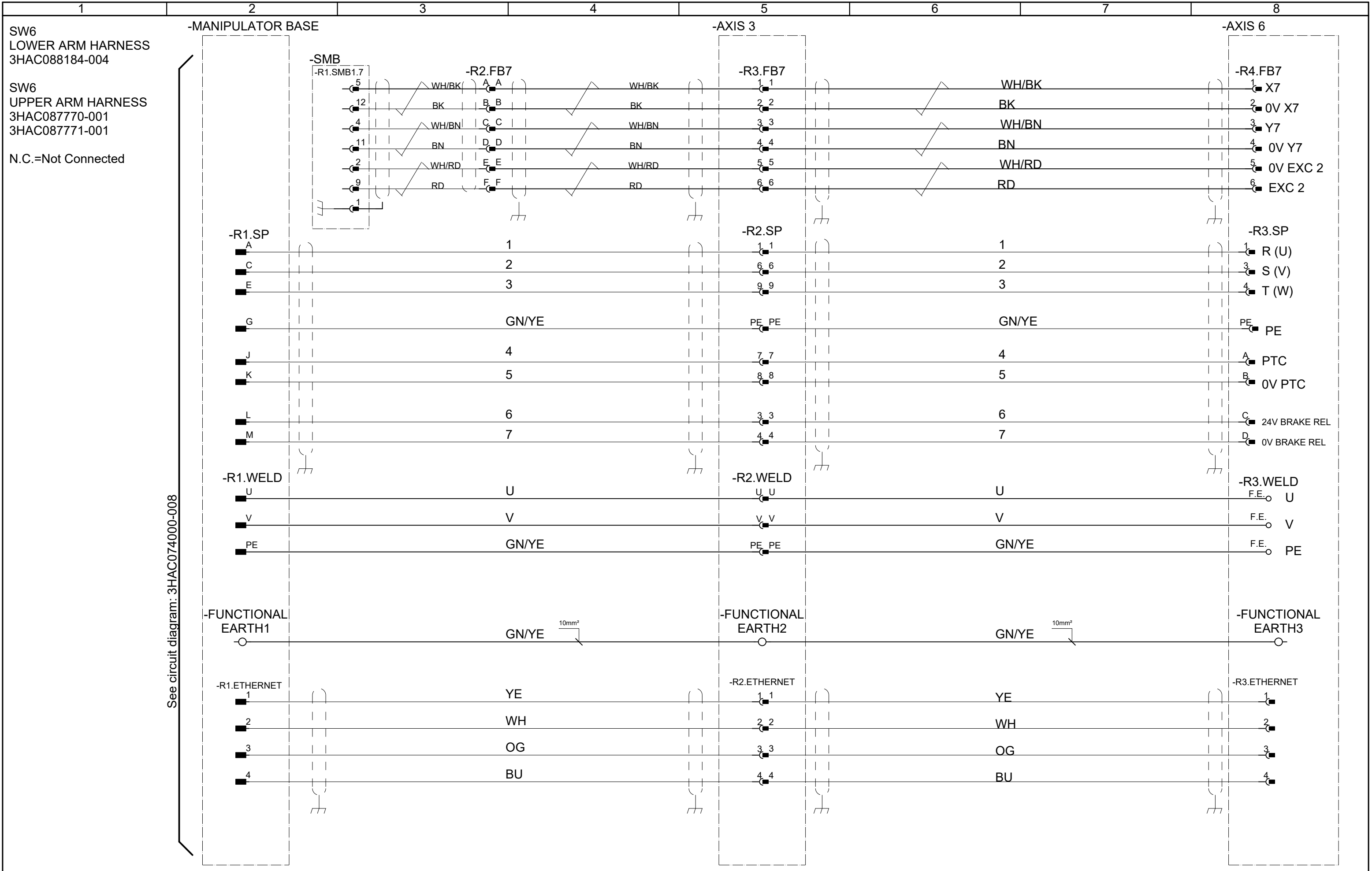
Document no. 3HAC081433-001 Rev. Ind 01 Page 151
Total 21

We reserve all rights in this document and in the information contained therein. Reproduction, use or disclosure to third parties without express authority is strictly forbidden. © Copyright 2003 ABB



Latest revision: ECO 130454			Lab/Office: RARO SE RDP	IRB57XX	Status: 2023-12-01	Plant: = DP
Prepared by, date: ML 2023-12-01			Approved by, date: ML 2023-12-01		PARAMULTI, SERVOGUN SW6	Approved
				TYPE Se	Document no. 3HAC081433-001	Sublocation: + AX3
					Rev. Ind 01	Page 155
						156
						Total 21

We reserve all rights in this document and in the information contained therein. Reproduction, use or disclosure to third parties without express authority is strictly forbidden. © Copyright 2003 ABB



Latest revision: ECO 130454

Prepared by, date: ML 2023-12-01 | Approved by, date: ML 2023-12-01



Lab/Office:
RARO SE
RDP

IRB57XX
PARAMULTI, SERVOGUN SW6
TYPE Se

Status: 2023-12-01

Plant: = DP
Location: + Se
Sublocation: + AX3

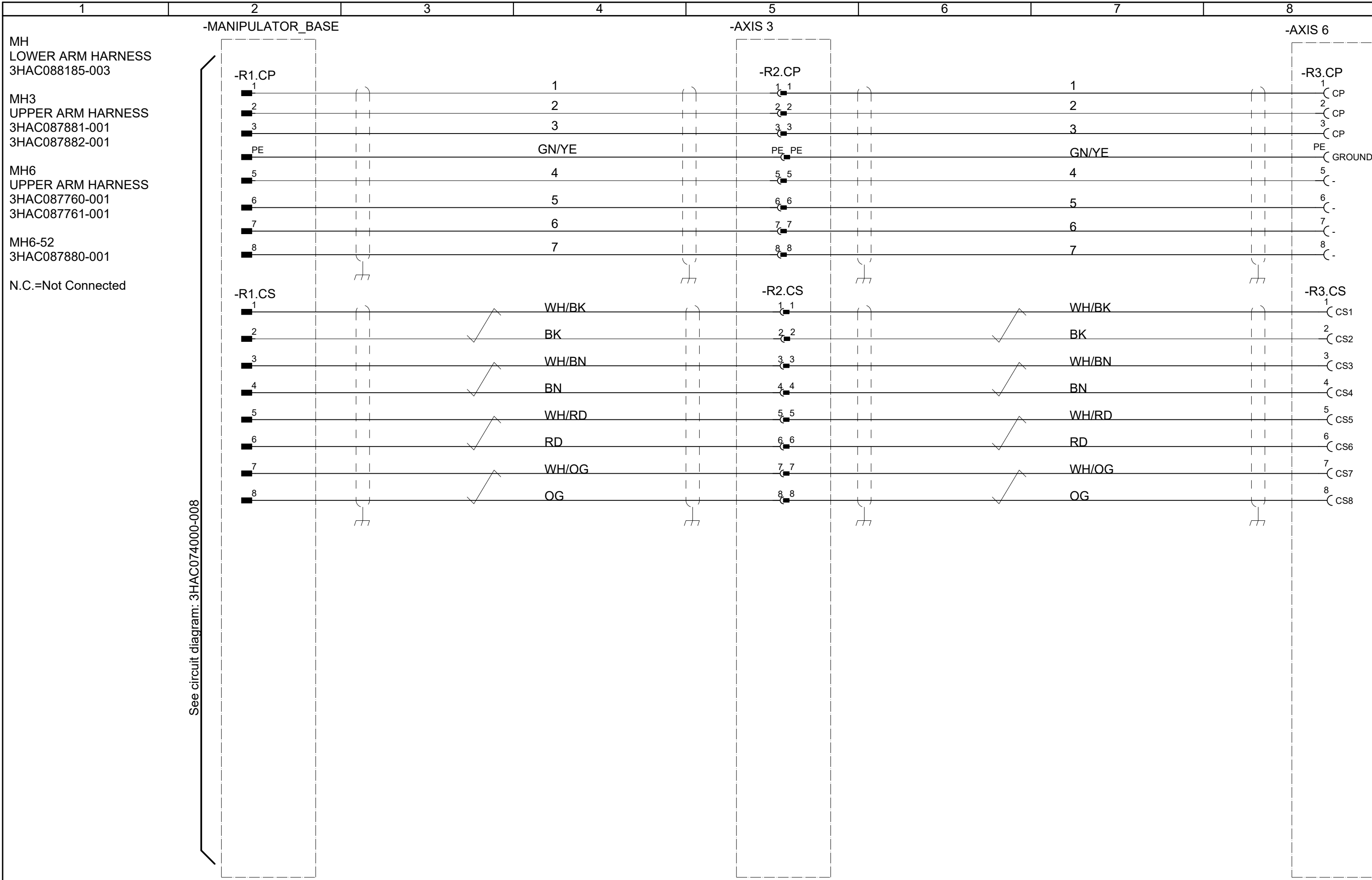
Approved

Document no. 3HAC081433-001

Rev. Ind 01

Page 156
+H.AX3/2
Total 21

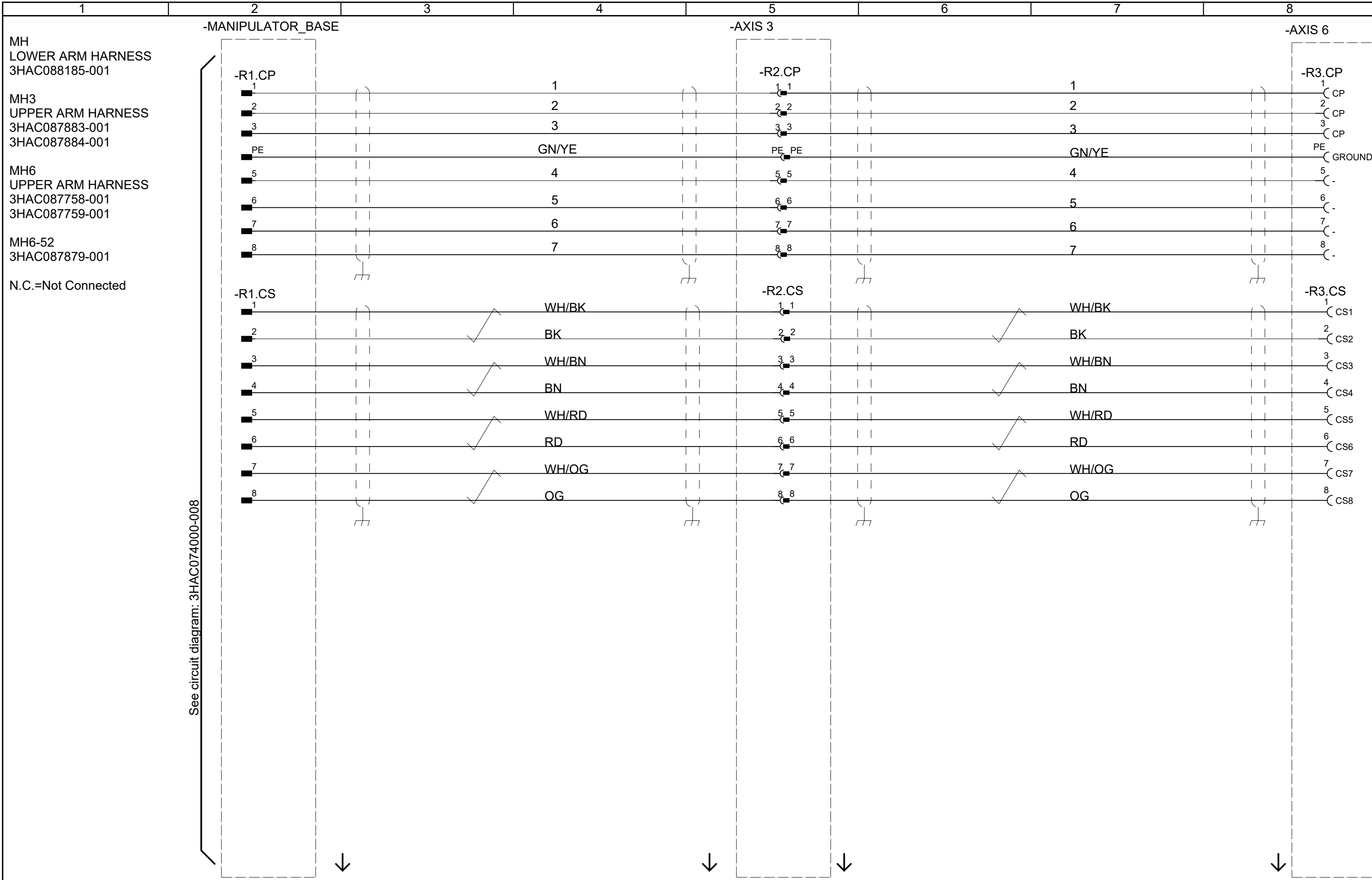
We reserve all rights in this document and in the information contained therein. Reproduction, use or disclosure to third parties without express authority is strictly forbidden. © Copyright 2003 ABB



See circuit diagram: 3HAC074000-008

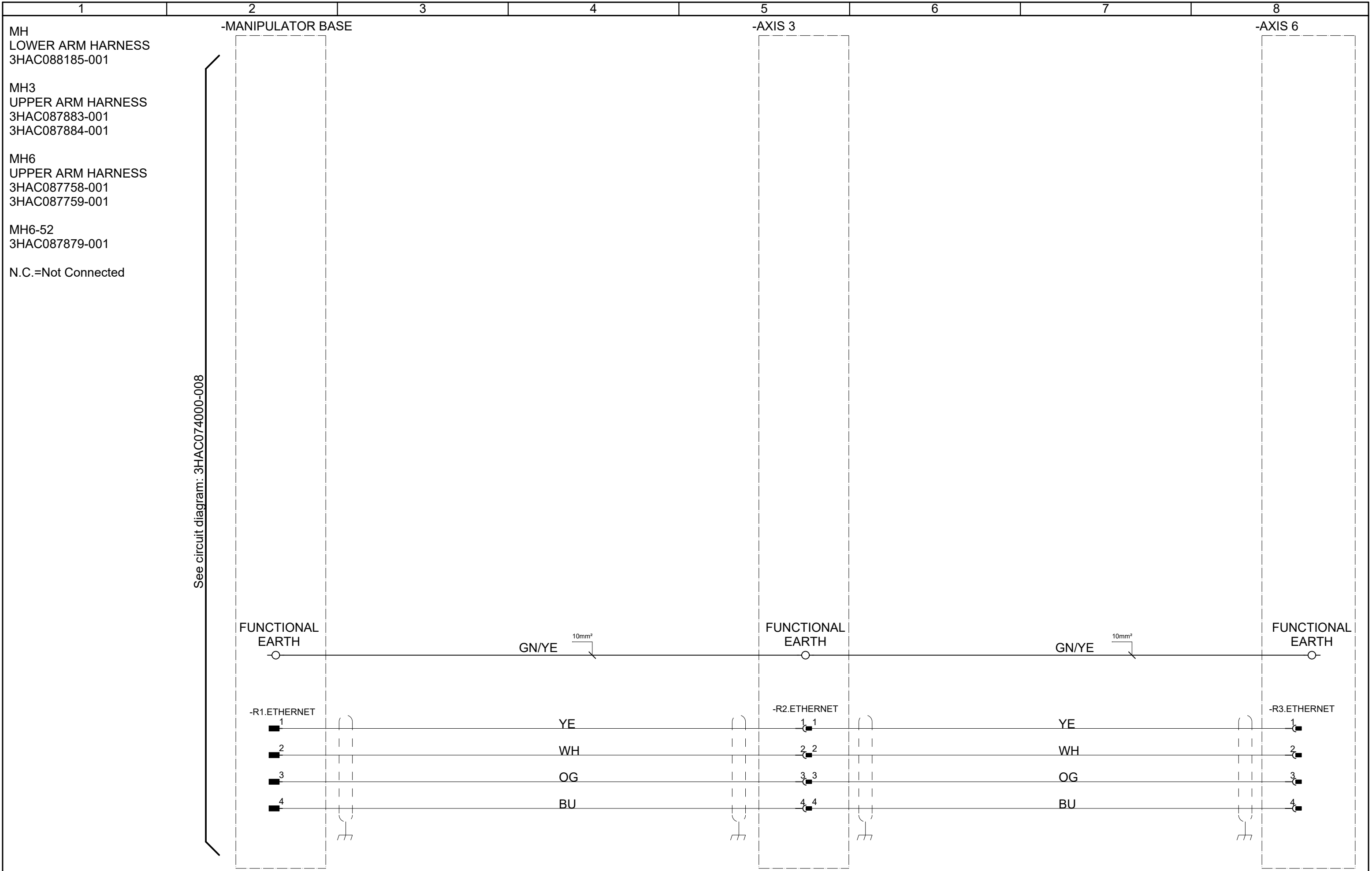
Latest revision: ECO 130454		ABB	Lab/Office: RARO SE RDP	IRB57XX	Status: 2023-12-01	Plant: = DP
Prepared by, date: ML 2023-12-01			Approved by, date: ML 2023-12-01	PARACOM MH3 & 6	Approved	Location: + H
				TYPE H	Document no. 3HAC081433-001	Rev. Ind 01
						Page 200 204 Total 21

We reserve all rights in this document and in the information contained therein. Reproduction, use or disclosure to third parties without express authority is strictly forbidden. © Copyright 2003 ABB



Latest revision: ECO 130454		ABB	Lab/Office: RARO SE RDP	IRB57XX	Status: 2023-12-01	Plant: = DP
Prepared by, date: ML 2023-12-01			Approved by, date: ML 2023-12-01		PARAMULTI MH3 & 6	Approved
				TYPE H	Document no. 3HAC081433-001	Sublocation: + AX3
					Rev. Ind 01	Page 204
						205
						Total 21

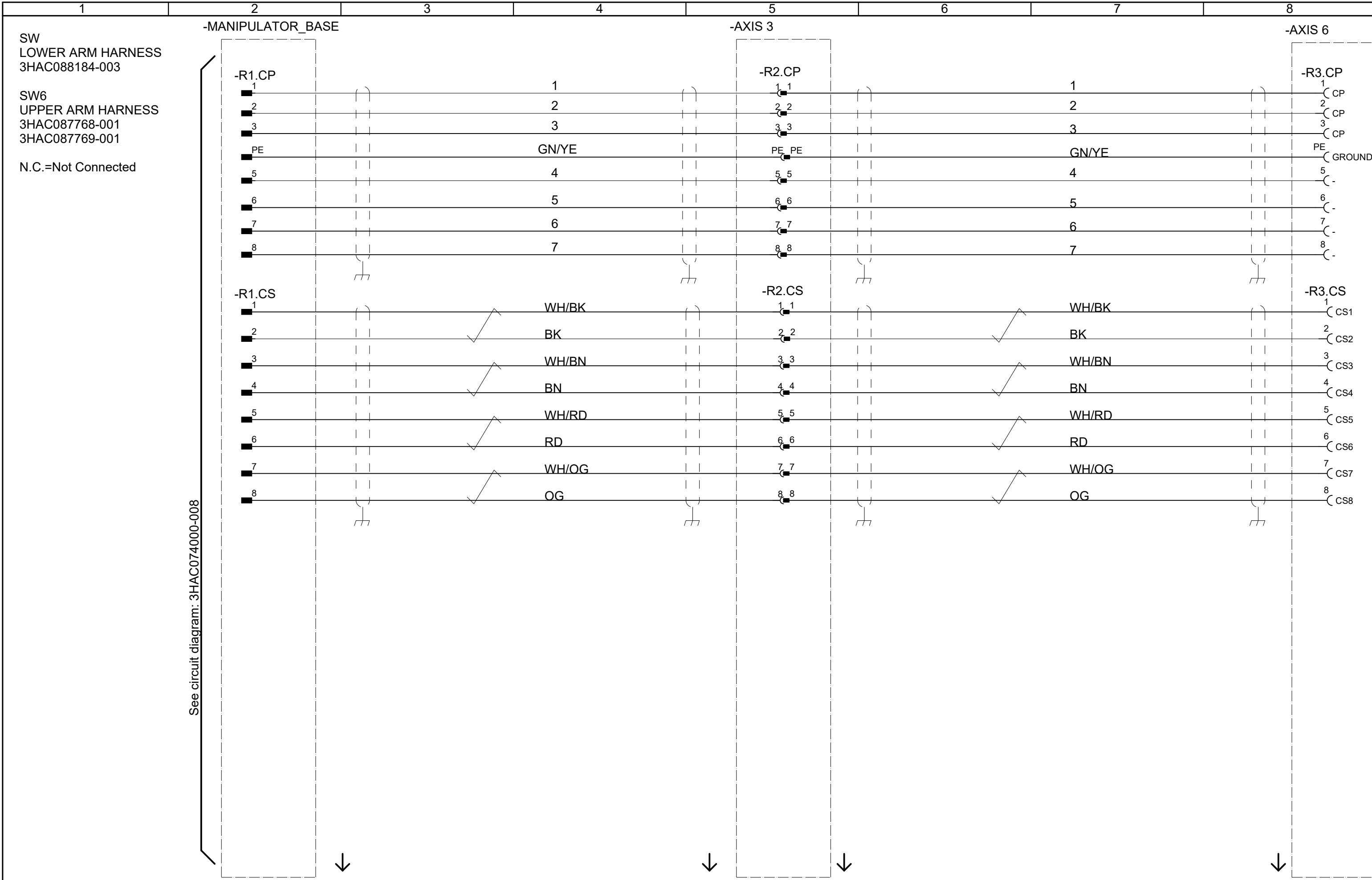
We reserve all rights in this document and in the information contained therein. Reproduction, use or disclosure to third parties without express authority is strictly forbidden. © Copyright 2003 ABB



See circuit diagram: 3HAC074000-008

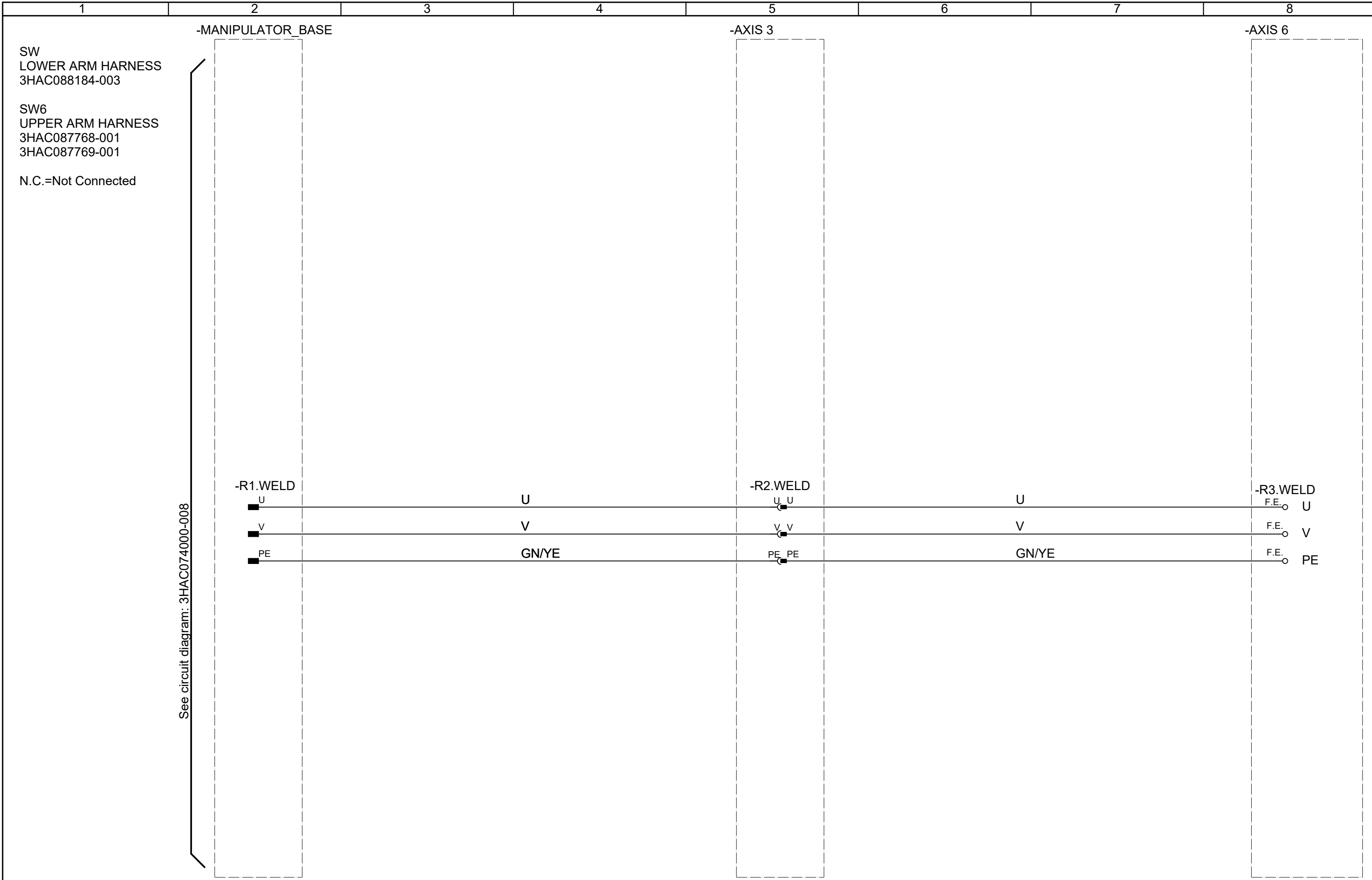
Latest revision: ECO 130454		ABB	Lab/Office: RARO SE RDP	IRB57XX	Status: 2023-12-01	Plant: = DP
Prepared by, date: ML 2023-12-01			Approved by, date: ML 2023-12-01		PARAMULTI MH3 & 6	Approved
				TYPE H	Document no. 3HAC081433-001	Sublocation: + AX3
					Rev. Ind 01	Page 205 +Se.AX3
					Total 21	

We reserve all rights in this document and in the information contained therein. Reproduction, use or disclosure to third parties without express authority is strictly forbidden. © Copyright 2003 ABB



Latest revision: ECO 130454			Lab/Office: RARO SE RDP	IRB57XX	Status:	Plant: = DP
Prepared by, date: ML 2023-12-01			Approved by, date:	PARACOM SW6	Approved	Location: + Se
				TYPE Se	Document no. 3HAC081433-001	Rev. Ind 01
						Page 220 221 Total 21

We reserve all rights in this document and in the information contained therein. Reproduction, use or disclosure to third parties without express authority is strictly forbidden. © Copyright 2003 ABB



SW
LOWER ARM HARNESS
3HAC088184-003

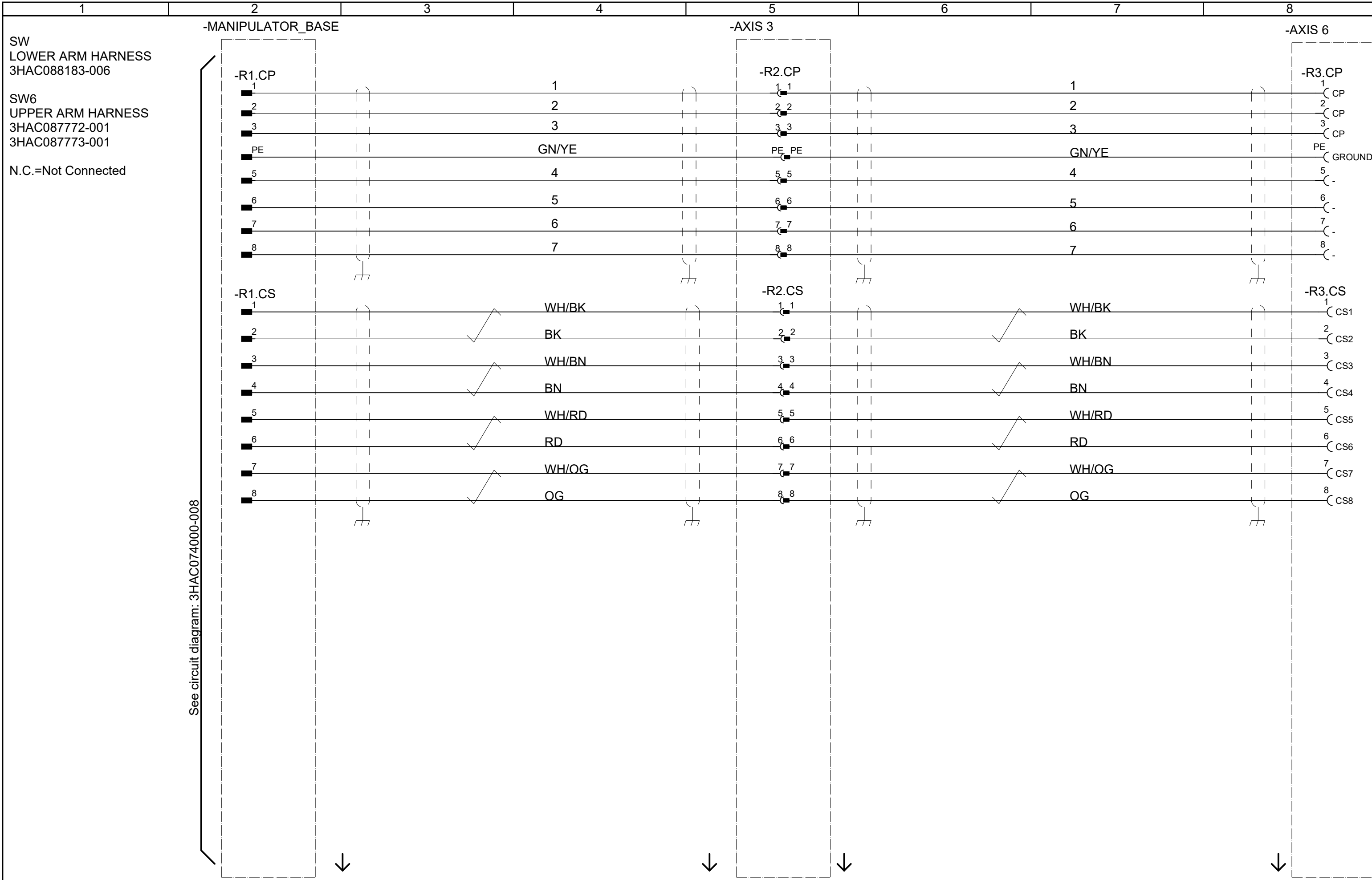
SW6
UPPER ARM HARNESS
3HAC087768-001
3HAC087769-001

N.C.=Not Connected

See circuit diagram: 3HAC074000-008

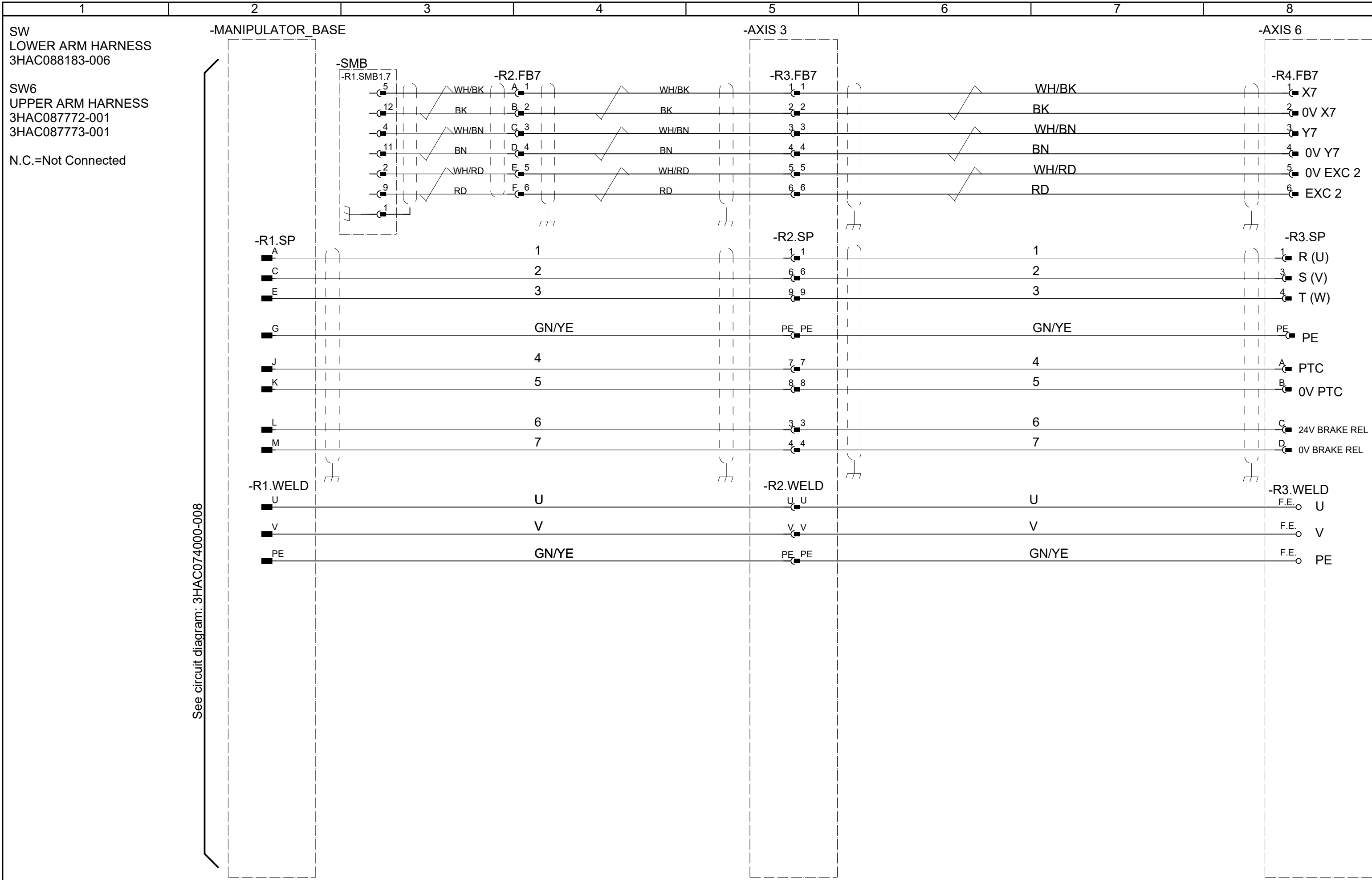
Latest revision: ECO 130454		ABB	Lab/Office: RARO SE RDP	IRB57XX	Status:	Plant: = DP
				PARACOM SW6	Approved	Location: + Se
Prepared by, date: ML 2023-12-01		Approved by, date:		TYPE Se	Document no. 3HAC081433-001	Sublocation: + AX3
					Rev. Ind 01	Page 221 225 Total 21

We reserve all rights in this document and in the information contained therein. Reproduction, use or disclosure to third parties without express authority is strictly forbidden. © Copyright 2003 ABB



Latest revision: ECO 130454		ABB	Lab/Office: RARO SE RDP	IRB57XX	Status: 2023-12-01	Plant: = DP
Prepared by, date: ML 2023-12-01			Approved by, date: ML 2023-12-01	PARACOM, SERVOGUN SW6		Approved
				TYPE Se	Document no. 3HAC081433-001	Sublocation: + AX3
					Rev. Ind 01	Page 225
						226
						Total 21

We reserve all rights in this document and in the information contained therein. Reproduction, use or disclosure to third parties without express authority is strictly forbidden. © Copyright 2003 ABB



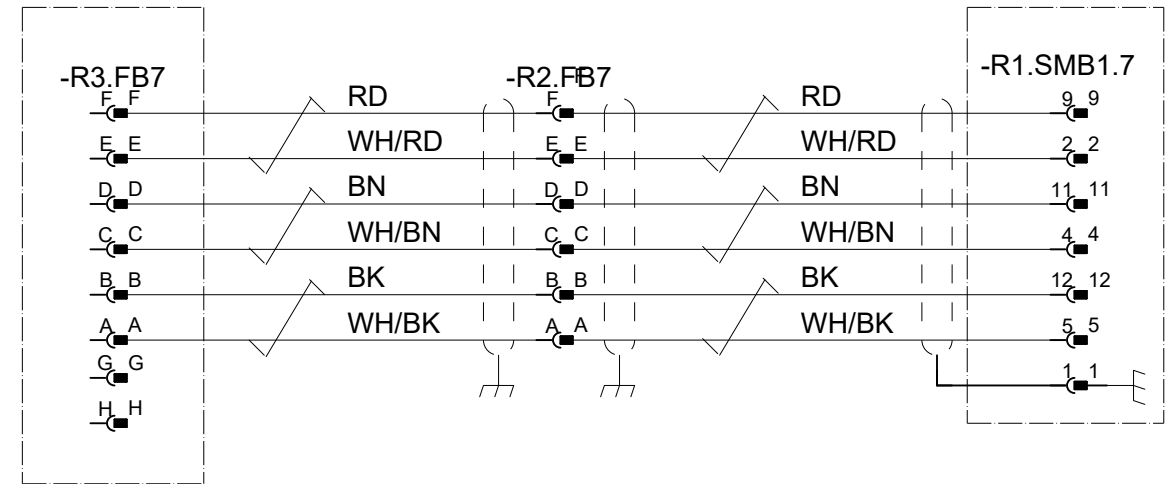
Latest revision: ECO 130454			Lab/Office: RARO SE RDP	IRB57XX	Status: 2023-12-01	Plant: = DP
Prepared by, date: ML 2023-12-01				PARACOM, SERVOGUN SW6	Approved	Location: + Se
Approved by, date: ML 2023-12-01			TYPE Se	Document no. 3HAC081433-001	Rev. Ind 01	Page 226 +AX 7/25 Total 21

RESOLVER SIGNALS
 CABLE FB7-SMB 1.7
 3HAC15619-1

CABLE SIGNAL AX 7
 3HAC023278-001

-MANIPULATOR BASE

-SMB



We reserve all rights in this document and in the information contained therein. Reproduction, use or disclosure to third parties without express authority is strictly forbidden. © Copyright 2003 ABB

Latest revision: ECO 130454		ABB	Lab/Office: RARO SE RDP	IRB57XX	Status: 2023-12-01	Plant: = DP
Prepared by, date: ML 2023-12-01 Approved by, date: ML 2023-12-01				Axis 7 on base	Approved	Location: + AX 7
				AX 7	Document no. 3HAC081433-001	Rev. Ind 01
						Page 250 Total 21